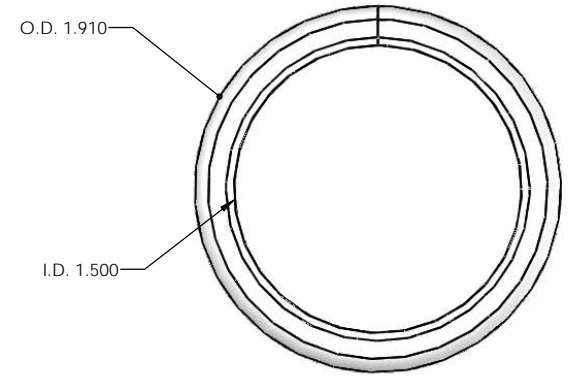
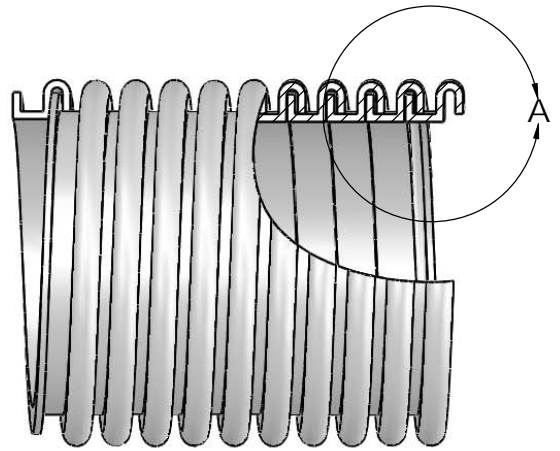


DETAIL A
SCALE 4 : 1



PROPRIETARY AND CONFIDENTIAL
THE INFORMATION CONTAINED IN THIS DRAWING IS THE SOLE PROPERTY OF AMFLEX PLASTICS. ANY REPRODUCTION IN PART OR AS A WHOLE WITHOUT THE WRITTEN PERMISSION OF AMFLEX PLASTICS IS PROHIBITED.

		UNLESS OTHERWISE SPECIFIED:		NAME	DATE	AMFLEX PLASTICS	
		DIMENSIONS ARE IN INCHES		DRAWN	TASC	5/27/09	TITLE:
		TOLERANCES:		CHECKED			SPIRAL WOUND CO-POLYMER CRUSH RESISTANT COMMERCIAL VACUUM HOSE
		FRACTIONAL: ±		ENG APPR.			
		ANGULAR: MACH ± 1° BEND ±		MFG APPR.			
		TWO PLACE DECIMAL: ±01		D.A.			COMMENTS:
		THREE PLACE DECIMAL: ±.005					
		INTERPRET GEOMETRIC TOLERANCING PER:					SIZE DWG. NO.
		MATERIAL:					C 5PR150
		POLYOLEFIN BLEND					REV
		COLOR: GREY 04					SCALE: 2:1 WEIGHT: SHEET 1 OF 1
NEXT ASSY	USED ON	FRONT	DO NOT SCALE DRAWING				
APPLICATION							