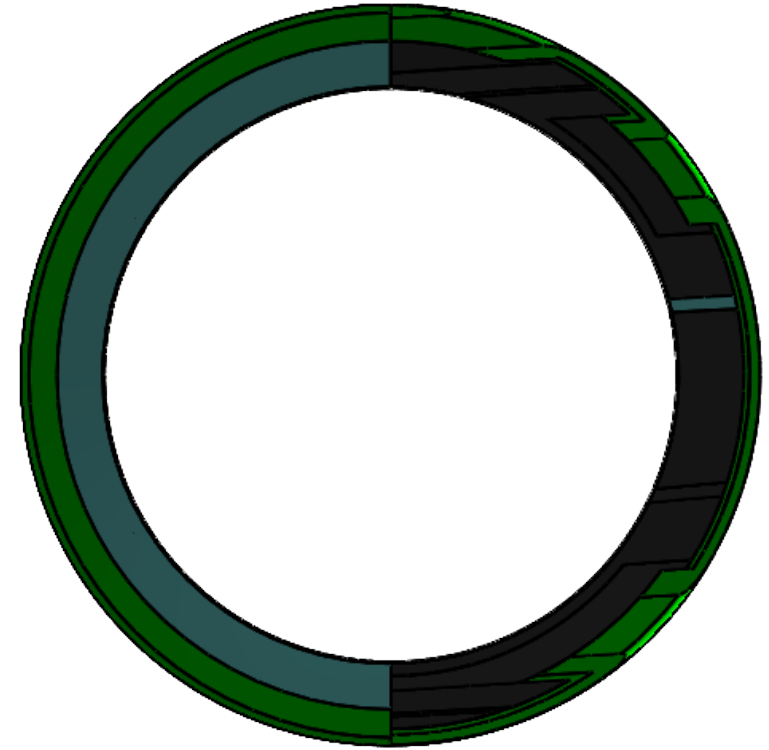
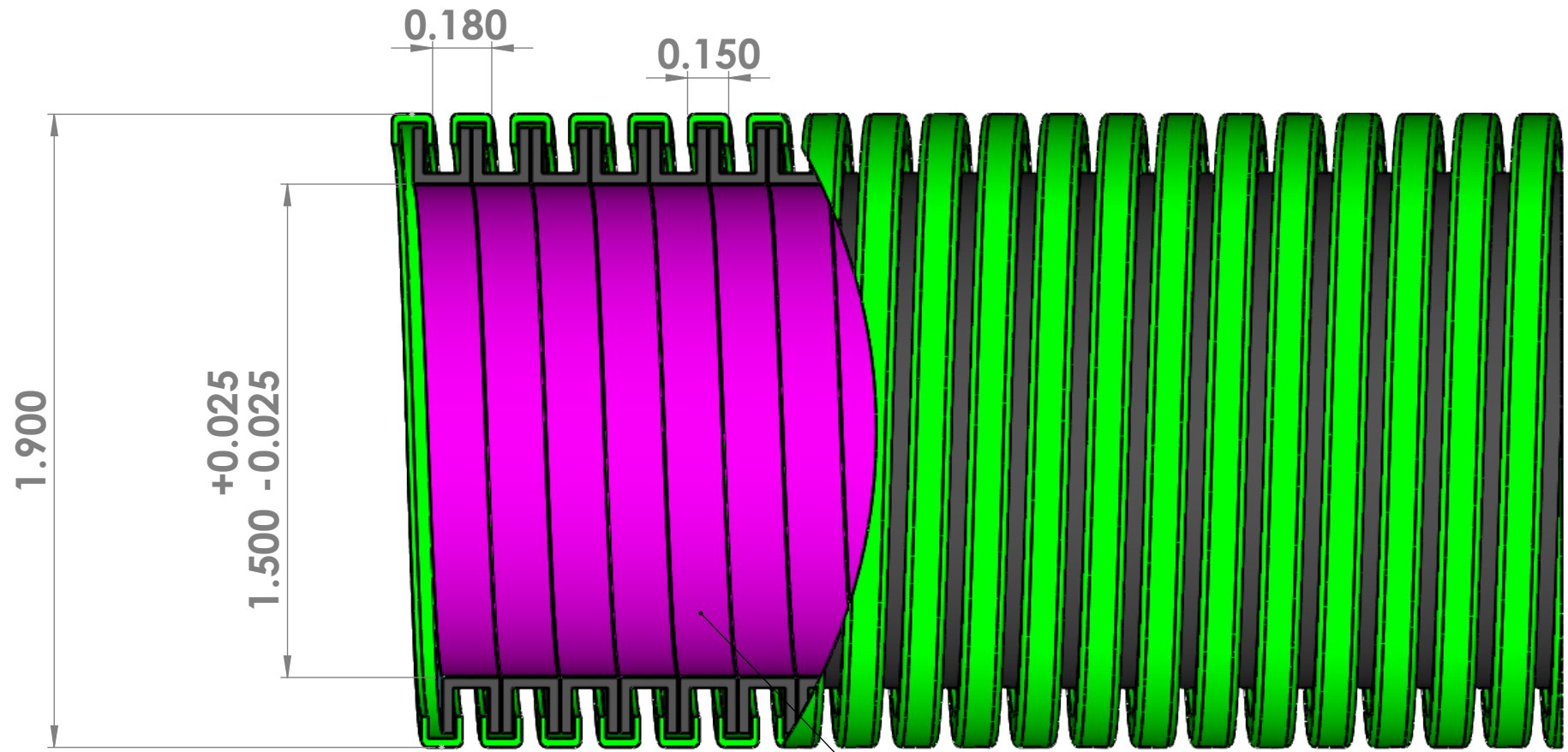


4

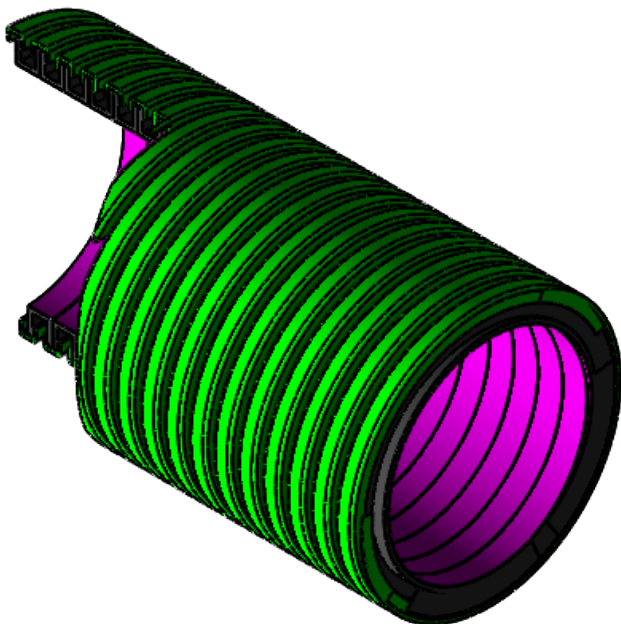
3

2

1



**CO-EXTRUSION
PROTECTIVE LINER
RESISTANT TO ABRASION.**



HOSE CONSTRUCTION:	Dual Profile w/CO-Extrusion	UNLESS OTHERWISE SPECIFIED:	NAME	DATE	AMFLEX PLASTICS, INC
MATERIAL:	Co-Polymer Proprietary Blend with UV protection	DIMENSIONS ARE IN INCHES TOLERANCES: FRACTIONAL ± ANGULAR: MACH ± BEND ± TWO PLACE DECIMAL ± THREE PLACE DECIMAL ±	DRAWN	ALEJO	
		INTERPRET GEOMETRIC TOLERANCING PER:	CHECKED	RC	TITLE:
		FINISH	ENG APPR.	RC	2SPHD150
		APPLICATION	MFG APPR.	RC	SIZE
		DO NOT SCALE DRAWING	Q.A.	RC	DWG. NO.
			COMMENTS:		B AMX-30015
					REV
					B

PROPRIETARY AND CONFIDENTIAL
THE INFORMATION CONTAINED IN THIS DRAWING IS THE SOLE PROPERTY OF AMFLEX PLASTICS. ANY REPRODUCTION IN PART OR AS A WHOLE WITHOUT THE WRITTEN PERMISSION OF AMFLEX PLASTICS IS PROHIBITED.

B

B

A

A

2

1